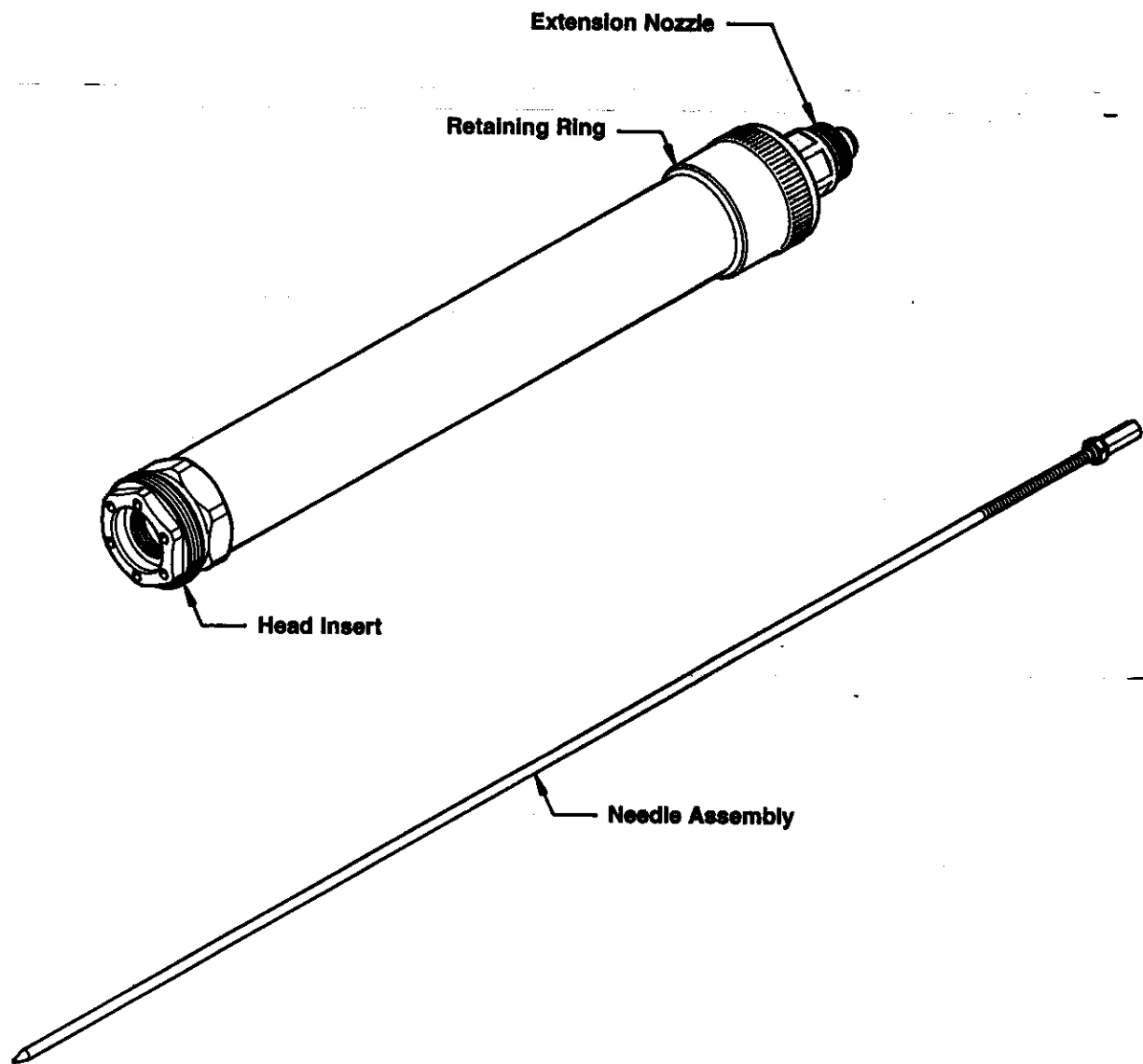


Binks MACH 1 EXTENSION ASSEMBLY



INTRODUCTION

The Binks MACH 1 Extension Assemblies are available in lengths of 6", 12", 18", 24", 30", 36", 42", 48", 49", 54", 60", 66" and 77". The Assemblies can be connected in various combinations. The Extension Assembly Chart on page 3 shows the

Extension Part Number, quantity, and Needle Part Number in order to provide you with a suitable working length. Please refer to the part number when ordering a specific part or parts from your Binks distributor.

Binks Manufacturing Company, 1995. All Rights Reserved.



MANUFACTURING COMPANY
9201 Belmont Avenue, Franklin Park, Illinois 60131-2887

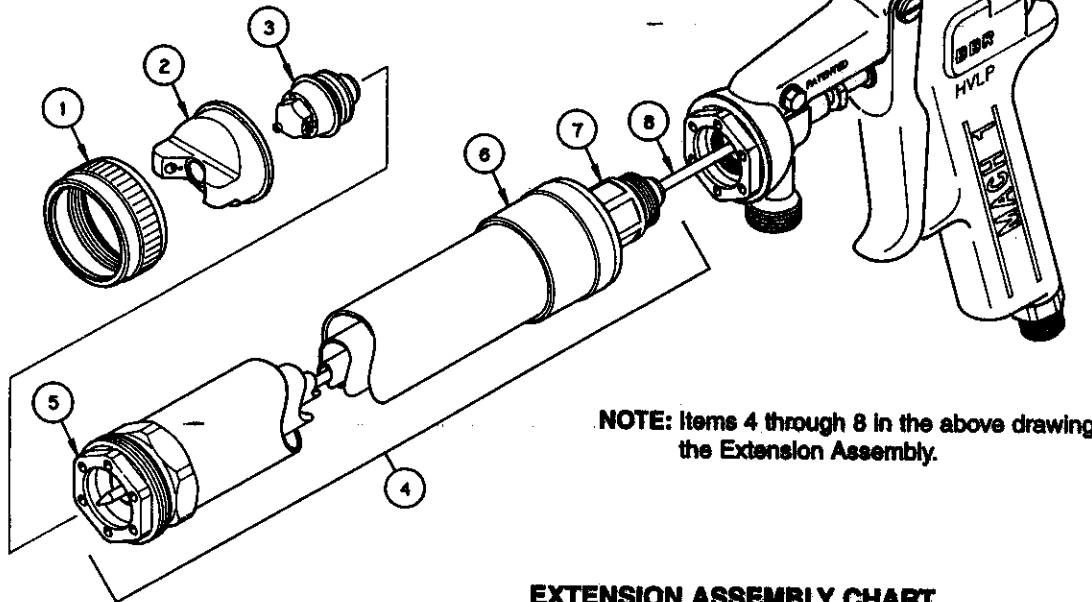
Replaces
Part Sheet
2557

Part Sheet
2557R

INSTALLATION INSTRUCTIONS

1. Remove the existing Retaining Ring (1) and Air Cap (2) from your gun. Remove the existing Fluid Nozzle (3) from the spray gun head insert. Remove the existing fluid needle assembly.
2. Slide the Extension Retaining Ring (6) forward slightly to expose the Extension Nozzle (7).
3. Screw the Extension Nozzle into the gun front. Carefully tighten the Extension Nozzle to 10-12 ft-lbs torque. Overtightening the Extension Nozzle may damage the head insert in your gun.
4. Slide the Extension Retaining Ring (6) toward the gun and hand tighten.
5. Reinstall your Fluid Nozzle (3) and carefully tighten to 10-12 ft-lbs of torque. When installing or removing your fluid nozzle, always use a wrench on the Head Insert (5), rather than the Extension Nozzle (7). Replace your Air Cap (2) and Retaining Ring (1).
6. Install the replacement Needle Assembly (8). Your Needle Assembly has been adjusted to the proper length and should need no further adjustment.

CAUTION: When tightening or loosening the Extension Nozzle, ALWAYS place the wrench on the extension end nearest the gun. Tightening or loosening the Extension Nozzle by applying force at the Extension Head Insert (5) may strip internal threads or cause extension tube buckling.



NOTE: Items 4 through 8 in the above drawing make up the Extension Assembly.

EXTENSION ASSEMBLY CHART

Assembly No.	Extension Length	Extension Part No.	Qty.	Extension Part No.	Qty.	Needle Ass'y Part No.
52-3706	6 in.	52-3706	1	---	--	52-3776
52-3712	12 in.	52-3712	1	---	--	52-3777
52-3718	18 in.	52-3718	1	---	--	52-3778
52-3724	24 in.	52-3724	1	---	--	52-3779
52-3730	30 in.	52-3706	1	52-3724	1	52-3780
52-3736	36 in.	52-3718	2	---	--	52-3781
52-3742	42 in.	52-3718	1	52-3724	1	52-3782
52-3748	48 in.	52-3724	2	---	--	52-3783
52-3749	49 in.	52-3749	1	---	--	52-3788
52-3754	54 in.	52-3706	1	52-3724	2	52-3784
52-3760	60 in.	52-3760	1	---	--	52-3785
52-3766	66 in.	52-3718	1	52-3724	2	52-3786
52-3772	72 in.	52-3724	3	---	--	52-3787